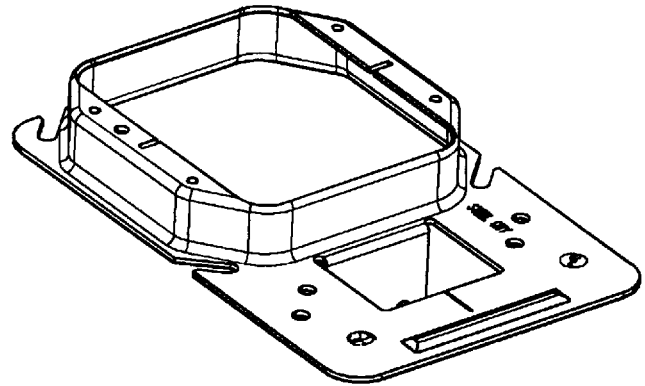




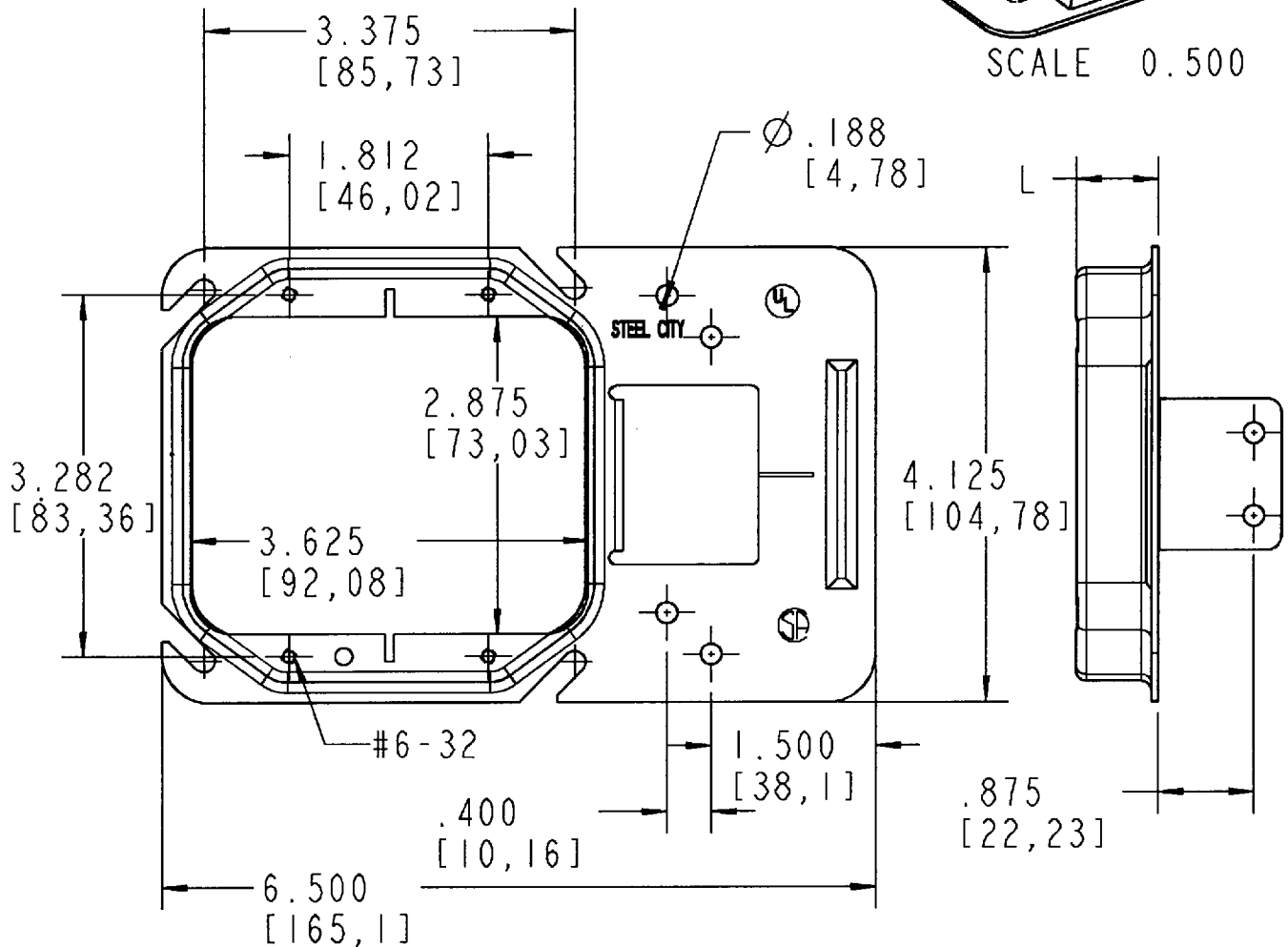
Steel City



CAT.NO.	"L"
52CMD17	1/2"
52CMD18-5/8	5/8"
52CMD18	3/4"



SCALE 0.500



MATERIAL: PRE-GALVANIZED STEEL 0.063" THICK

Thomas & Betts

- GENERAL NOTES**
- ALL DIMENSIONS ARE FOR REFERENCE ONLY.
 - DIMENSIONS IN BRACKETS [] ARE IN METRIC UNITS.

DESCRIPTION: **BOX SUPPORT COVER
2 DEVICES**

REVISIONS

** SEE ERN (****) FOR APPROVAL SIGNATURES & RELEASE DATE.
PROJECT NO: ****

ORIGINAL PROJECT NO / (ERN NO) ND55282 / (2009428)	SHEET NO: 1 OF 1	REV. NO: **	DRAWING NO: WSD-000397
--	----------------------------	-----------------------	----------------------------------